



www.FGWilson.com

P200-2



Image for illustration purposes only.

Output Ratings

Generating Set Model	Prime*	Standby*
380-415V, 50Hz	180.0 kVA / 144.0 kW	200.0 kVA / 160.0 kW
480V, 60 Hz	196.9 kVA / 157.5 kW	218.8 kVA / 175.0 kW

Ratings at 0.8 power factor.

Prime Rating

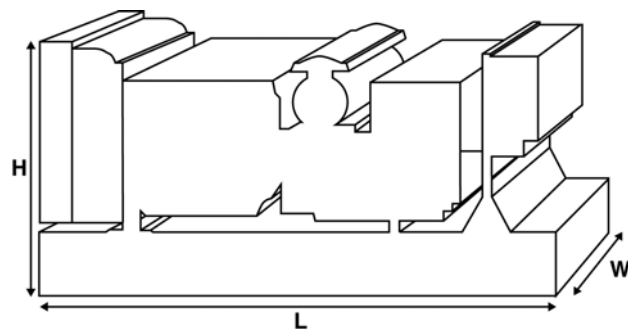
These ratings are applicable for supplying continuous electrical power (at variable load) in lieu of commercially purchased power. There is no limitation to the annual hours of operation and this model can supply 10% overload power for 1 hour in 12 hours.

Standby Rating

These ratings are applicable for supplying continuous electrical power (at variable load) in the event of a utility power failure. No overload is permitted on these ratings. The alternator on this model is peak continuous rated (as defined in ISO 8528-3).

Standard Reference Conditions

Note: Standard reference conditions 25°C (77°F) Air Inlet Temp, 100m (328 ft) A.S.L. 30% relative humidity.
Fuel consumption data at full load with diesel fuel with specific gravity of 0.85 and conforming to BS2869: 1998, Class A2.



Ratings and Performance Data

Engine Make & Model:	Perkins 1106C-E66TAG4	
Alternator manufactured for FG Wilson by:	Leroy Somer	
Alternator Model:	LL5014F	
Control Panel:	PowerWizard 1.1	
Base Frame:	Fbc2 - (08Hr)	
Circuit Breaker Type:	3 Pole MCCB	
Frequency:	50 Hz	60 Hz
Engine Speed: RPM	1500	1800
Fuel Tank Capacity: litres (US gal)	418 (110.4)	
Fuel Consumption: l/hr (US gal/hr) (100% Load)	Prime	Standby
	39.7 (10.5)	44.4 (11.7)
	43.5 (11.5)	48.6 (12.8)

Available Options

- CE Certification
- Sound Attenuated EC Enclosures
- Control Panel Upgrades
- Range of Silencers
- Range of Alarms and Shutdowns

Dimensions and Weights

Length (L) mm (in)	Width (W) mm (in)	Height (H) mm (in)	Dry kg (lb)	Wet kg (lb)
2500 (98.4)	1320 (52.0)	1626 (64.0)	1731 (3816)	1758 (3876)
Dry = With Lube Oil		Wet = With Lube Oil and Coolant		

Ratings in accordance with ISO 8528, ISO 3046, IEC 60034, BS5000 and NEMA MG-1/22. Generating set pictured may include optional accessories.

FG Wilson has manufacturing facilities in the following locations:

Northern Ireland • Brazil • China • India • USA

With headquarters in Northern Ireland, FG Wilson operates through a Global Dealer Network.

To contact your local Sales Office please visit the FG Wilson website at www.FGWilson.com

Engine Technical Data		
No. of Cylinders / Alignment:	6 / In Line	
Cycle:	4 Stroke	
Bore / Stroke: mm (in)	105.0 (4.1)/127.0 (5.0)	
Induction:	Turbocharged Air To Air Charge Cooled	
Cooling Method:	Water	
Governing Type:	Electronic	
Governing Class:	ISO 8528 G2	
Compression Ratio:	16.2:1	
Displacement: l (cu. in)	6.6 (402.8)	
Moment of Inertia: kg m ² (lb/in ²)	1.61 (5502)	
Engine Electrical System:		
- Voltage / Ground	12/Negative	
- Battery Charger Amps	100	
Weight: kg (lb)	- Dry	788 (1737)
	- Wet	822 (1812)

Performance	50 Hz	60 Hz
Engine Speed: rpm	1500	1800
Gross Engine Power: kW (hp)		
- Prime	163.7 (220.0)	185.3 (248.0)
- Standby	180.5 (242.0)	204.3 (274.0)
BMEP: kPa (psi)		
- Prime	1985.0 (287.9)	1872.0 (271.5)
- Standby	2188.0 (317.4)	2064.0 (299.4)

Fuel System					
Fuel Filter Type:	Replaceable Element				
Recommended Fuel:	Class A2 Diesel				
Fuel Consumption: l/hr (US gal/hr)					
	110%	100%	75%	50%	
Prime	Load	Load	Load	Load	
50 Hz	43.5 (11.5)	39.7 (10.5)	30.5 (8.1)	20.7 (5.5)	
60 Hz	48.6 (12.8)	44.4 (11.7)	35.4 (9.4)	27.3 (7.2)	
	110%	100%	75%	50%	
Standby	Load	Load	Load	Load	
50 Hz		43.5 (11.5)	33.7 (8.9)	23.0 (6.1)	
60 Hz		48.6 (12.8)	38.3 (10.1)	29.1 (7.7)	

(Based on diesel fuel with a specific gravity of 0.84 and conforming to BS2869, Class A2)

Air Systems	50 Hz	60 Hz
Air Filter Type:	Paper Element	
Combustion Air Flow: m ³ /min (cfm)		
- Prime	11.3 (399)	13.3 (470)
- Standby	11.7 (413)	13.4 (473)
Max. Combustion Air Intake Restriction: kPa (in H ₂ O)		
	8.0 (32.1)	8.0 (32.1)

Cooling System	50 Hz	60 Hz
Cooling System Capacity: l (US gal)	27.0 (7.1)	27.0 (7.1)
Water Pump Type: Centrifugal		
Heat Rejected to Water & Lube Oil:		
kW (Btu/min)	- Prime	72.8 (4140)
	- Standby	79.8 (4538)
		82.2 (4675)
		89.5 (5090)
Heat Radiation to Room: Heat radiated from engine and alternator		
kW (Btu/min)	- Prime	12.5 (711)
	- Standby	13.7 (779)
		14.5 (825)
		15.7 (893)
Radiator Fan Load: kW (hp)	6.3 (8.5)	14.7 (19.7)
Radiator Cooling Airflow: m ³ /min (cfm)	309.0 (10912)	385.0 (13596)
External Restriction to Cooling Airflow: Pa (in H ₂ O)		
	125 (0.5)	125 (0.5)

Cooling system designed to operate in ambient conditions up to 50°C (122°F). Contact your local FG Wilson Dealer for power ratings at specific site conditions.

Lubrication System	
Oil Filter Type:	Spin-On, Full Flow
Total Oil Capacity: l (US gal)	16.5 (4.4)
Oil Pan: l (US gal)	15.5 (4.1)
Oil Type:	API CH4 / CI4 15W-40
Oil Cooling Method:	Water

Exhaust System	50 Hz	60 Hz
Silencer Type:	Industrial	
Silencer Model & Quantity:	SD100 (1)	
Pressure Drop Across Silencer System: kPa (in Hg)		
	2.14 (0.632)	0.54 (0.159)
Silencer Noise Reduction Level: dB	14	12
Maximum Allowable Back Pressure: kPa (in Hg)		
	15.0 (4.4)	15.0 (4.4)
Exhaust Gas Flow: m ³ /min (cfm)		
	- Prime	19.4 (685)
	- Standby	19.4 (685)
		24.4 (862)
		24.4 (862)
Exhaust Gas Temperature: °C (°F)		
	- Prime	440 (824)
	- Standby	453 (847)
		453 (847)
		466 (871)

Alternator Physical Data	
Manufactured for FG Wilson by:	Leroy Somer
Model:	LL5014F
No. of Bearings:	1
Insulation Class:	H
Winding Pitch Code:	2/3 - 6
Wires:	12
Ingress Protection Rating:	IP23
Excitation System:	SHUNT
AVR Model:	R450

Alternator Operating Data	
Overspeed: rpm	2250
Voltage Regulation: (Steady state)	+/- 0.5
Wave Form NEMA = TIF:	50
Wave Form IEC = THF:	2.0%
Total Harmonic content LL/LN:	4.0%
Radio Interference:	Suppression is in line with European Standard EN61000-6
Radiant Heat: kW (Btu/min)	
- 50 Hz	13.2 (751)
- 60 Hz	14.0 (796)

Alternator Performance Data:	50 Hz				60 Hz				
	415/240V	400/230V	380/220V	220/127V	480/277V	380/220V	240/120V	230/115V	440/254V
Data Item									
Motor Starting Capability* kVA	414	389	356	457	454	303	355	332	392
Short Circuit Capacity** %	300	300	300	300	300	300	300	300	300
Reactances: Per Unit									
X _d	2.515	2.707	2.999	2.237	2.470	3.920	3.290	3.550	2.940
X' _d	0.123	0.133	0.147	0.110	0.120	0.190	0.160	0.170	0.140
X'' _d	0.074	0.080	0.088	0.066	0.073	0.116	0.097	0.105	0.087

Reactances shown are applicable to prime ratings.
 *Based on 30% voltage dip at 0.6 power factor.
 **With optional permanent magnet generator or SHUNT excitation.

Voltage Technical Data 50 Hz				
Voltage	Prime:		Standby:	
	kVA	kW	kVA	kW
415/240V	180.0	144.0	200.0	160.0
400/230V	180.0	144.0	200.0	160.0
380/220V	180.0	144.0	200.0	160.0
230/115V	180.0	144.0	200.0	160.0
220/127V	180.0	144.0	200.0	160.0
220/110V	180.0	144.0	200.0	160.0
200/115V	180.0	144.0	200.0	160.0

Voltage Technical Data 60 Hz				
Voltage	Prime:		Standby:	
	kVA	kW	kVA	kW
480/277V	196.9	157.5	218.8	175.0
220/127V	196.9	157.5	218.8	175.0
380/220V	196.5	157.2	217.6	174.1
240/120V	196.9	157.5	218.8	175.0
230/115V	196.9	157.5	218.8	175.0
440/254V	196.9	157.5	218.8	175.0
220/110V	196.5	157.2	217.6	174.1
208/120V	196.9	157.5	218.8	175.0
240/139V	196.9	157.5	218.8	175.0

Documentation

A full set of operation and maintenance manuals and circuit wiring diagrams.

Generating Set Standards

The equipment meets the following standards: BS5000, ISO 8528, ISO 3046, IEC 60034, NEMA MG-1.22.

FG Wilson is a fully accredited ISO 9001 company.

EU Stage II Emissions Compliant.

Warranty

All prime equipment carries a one year manufacturer's warranty. Standby equipment, limited to 500 running hours per year, has a two year manufacturer's warranty. For details on warranty cover please contact your local Dealer, or visit our website: FGWilson.com.

Dealer contact details:



FG Wilson has manufacturing facilities in the following locations:

Northern Ireland • Brazil • China • India • USA

With headquarters in Northern Ireland, FG Wilson operates through a Global Dealer Network.

To contact your local Sales Office please visit the FG Wilson website at www.FGWilson.com